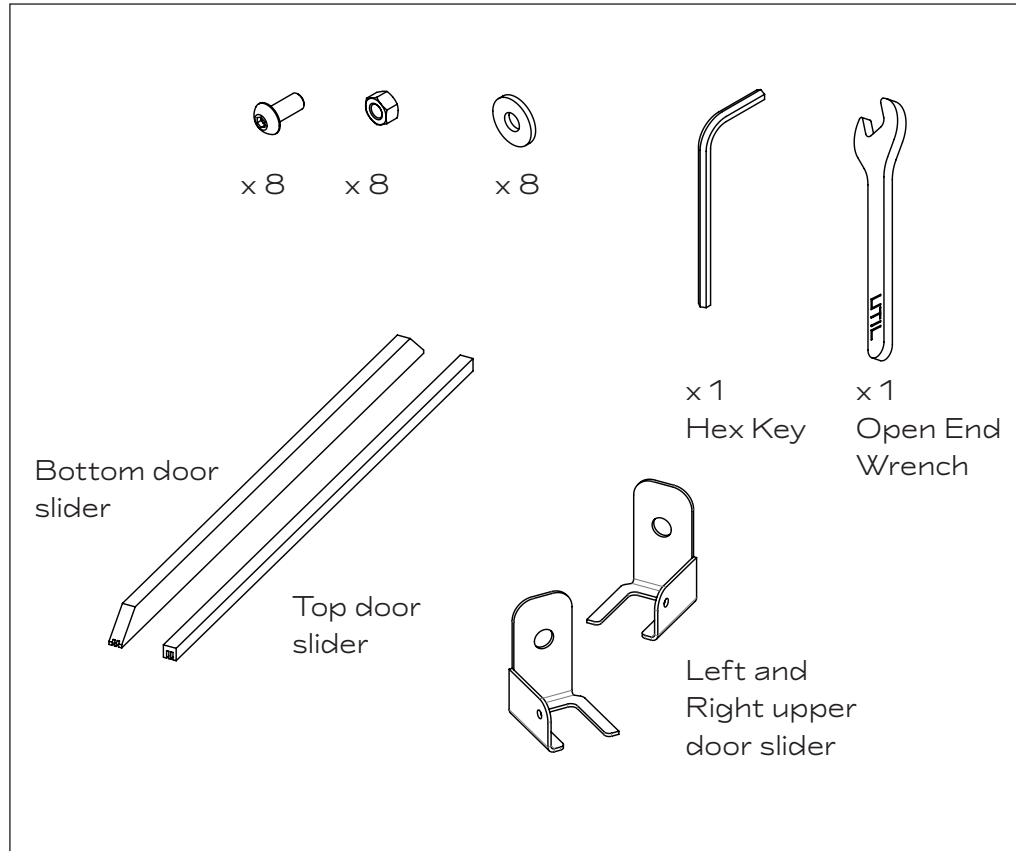


These quick steps will guide you throughout the assembly of all of the wall mounted versions of the Plié.

Tools and parts Included:

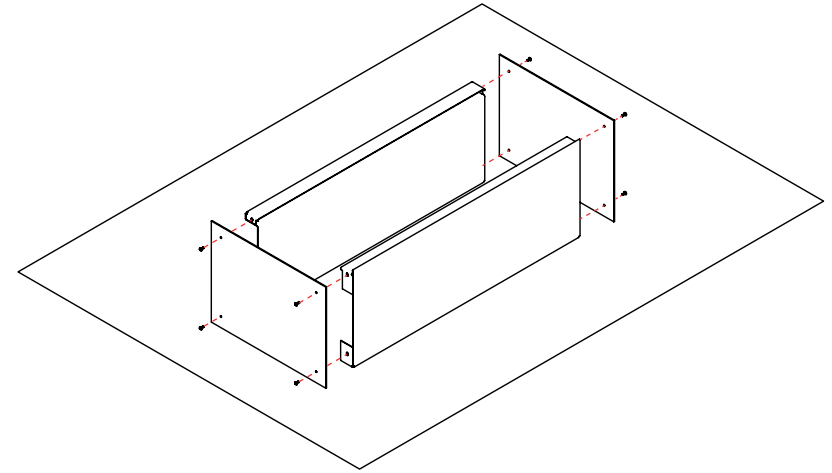


Please note:

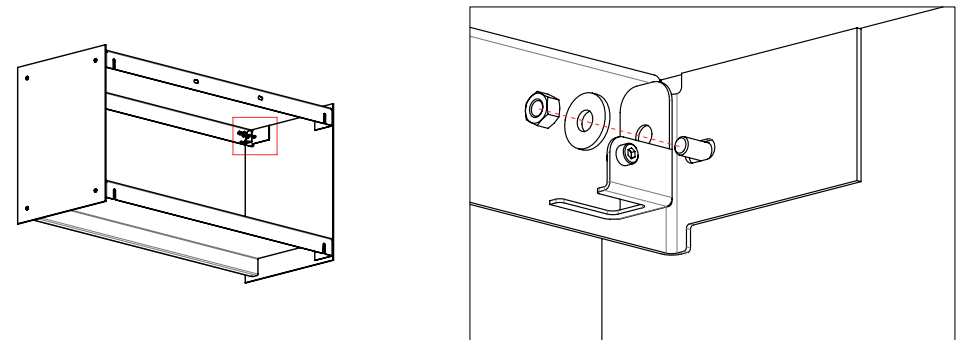
Wall screws not included.

Please purchase the best fitting screws and plugs for your wall in your local hardware shop.

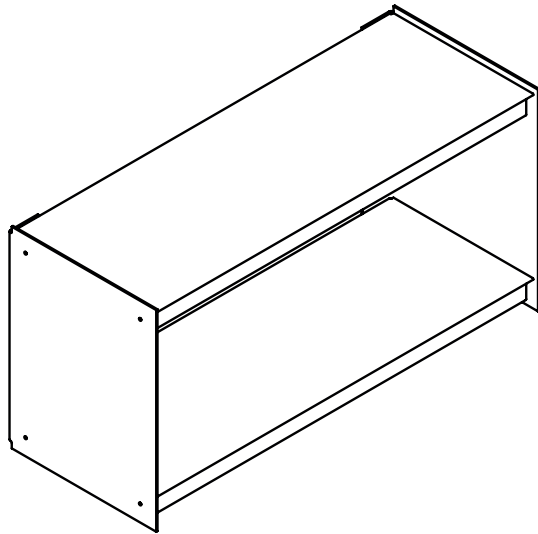
**1** With the parts laying on a soft surface start by assembling the top shelf and the top screw. This way the parts will hold while you attach the other screws.



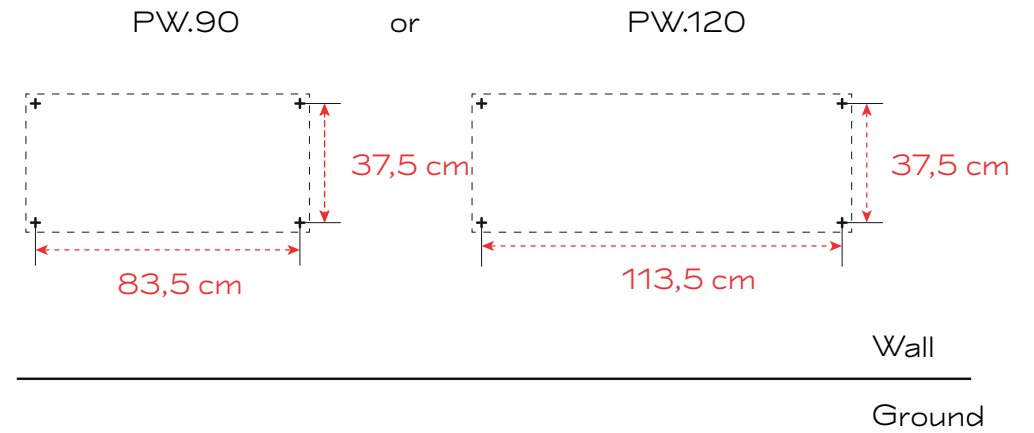
**2** Place the top door slider fixture on the top shelf. The elbows should be placed facing outside to hold the door slider.



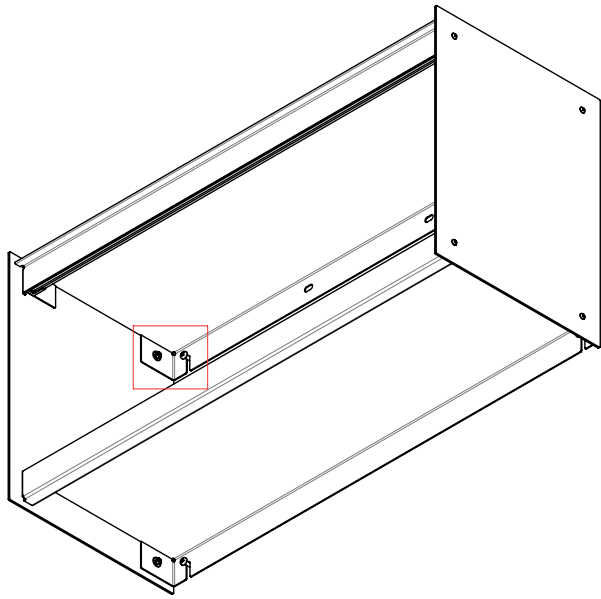
3 With most of the Plié assembled now is the best time to make the wall holes.



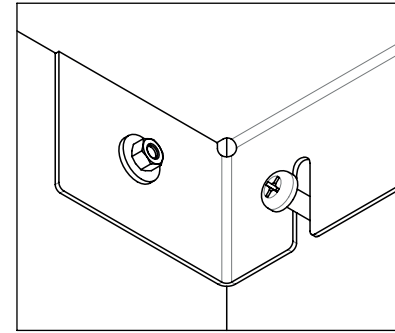
4 The horizontal holes differ if you have the 90 or 120 cm version .



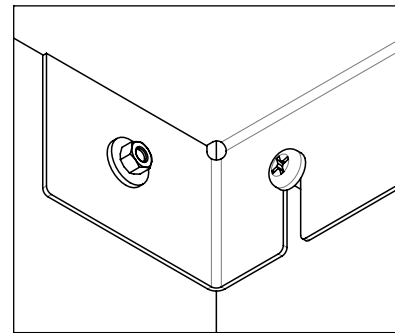
**5** Fix the wallmount Plié.



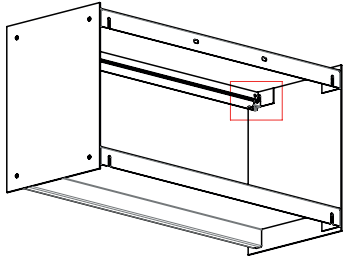
**5a** Fix the screws in the holes letting a gap to slide de the wallmount Plié.



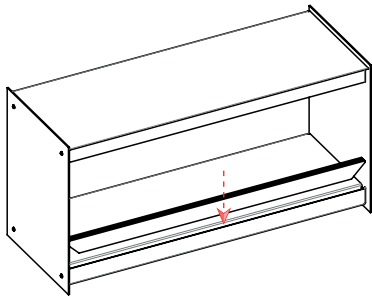
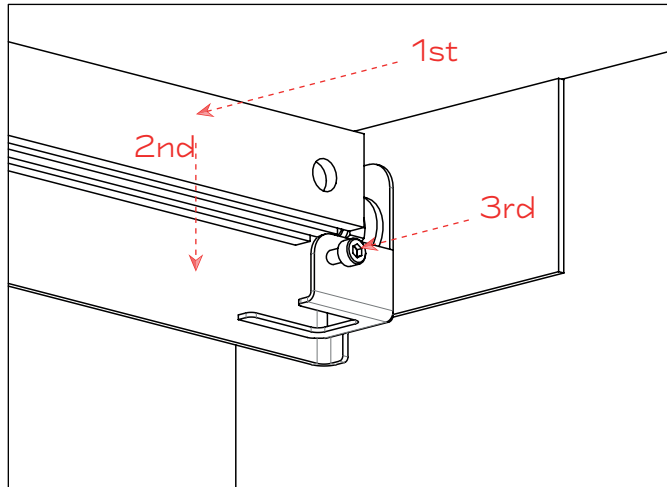
**5b** Slide the wallmount Plié to the wall. Tighten the screw until the wallmount Plié is fixed.



6 Place the top and bottom door sliders.

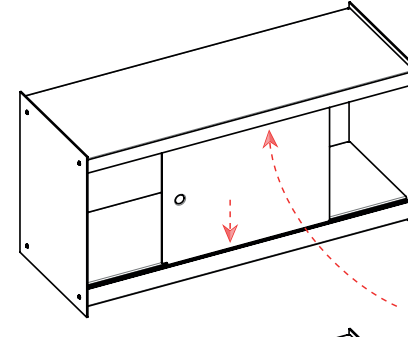


6a Once positioned in place don't forget to lock the slider by turning the small screw

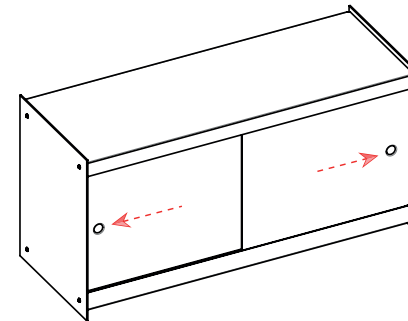


7 Fix the Wallmount Plié doors.

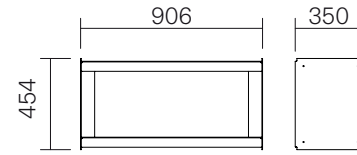
7a Place the doors by sliding first the **back** door in the gap and then letting it fall on the bottom slider.



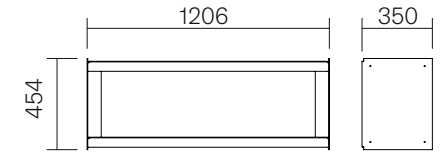
7b Do the same for the other door by placing it in the front gap and you are good to go!



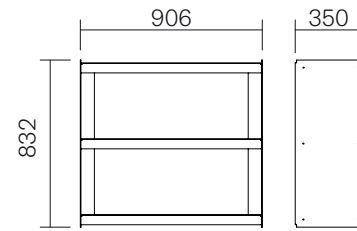
The Plié family



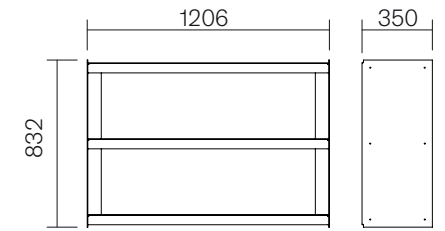
Floor unit 90



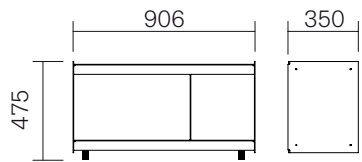
Floor unit 120



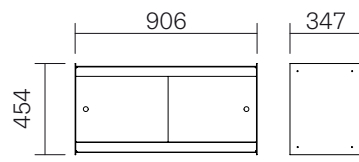
Sideboard 90



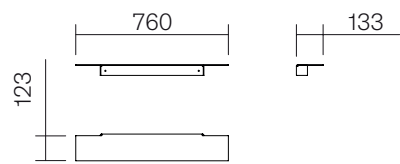
Sideboard 120



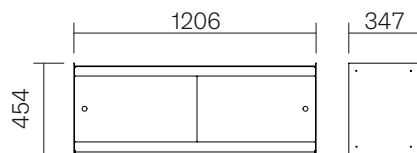
Trolley



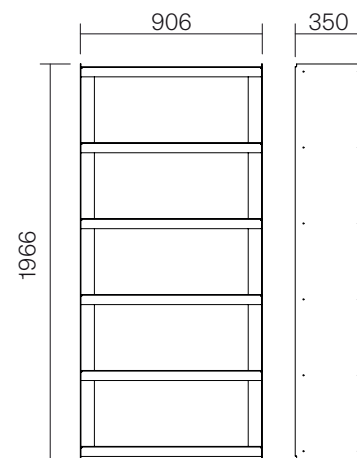
Wall mount 90



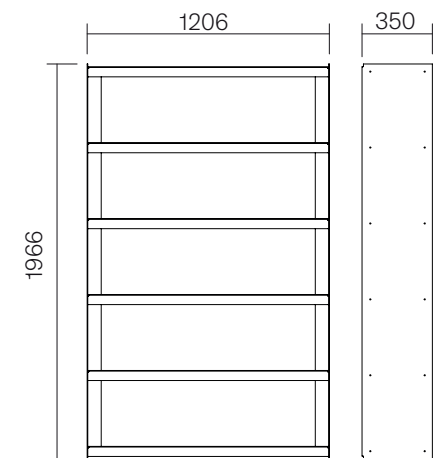
Mini shelf



Wall mount 120



Bookshelf 90



Bookshelf 120

## UTIL

Is a Lisbon-based brand that creates designer furniture.

We are driven by a curiosity about people and how they live. Our goal is to develop furniture that blends in, rather than stands out, and is intentionally designed to be helpful and subtle.

We believe that every piece of furniture is for life. For that reason, we make sure our products are designed for a home that grows with you. This is UTIL. Contemporary, functional, and understated designer furniture.

We are internationally designed and locally produced.

## FROM INDUSTRIAL DESIGN

Is a collaboration between Cesare Bizzotto and Tobias Nitsche.

The italo-german duo met during their masters degree in ECAL, Switzerl. Since then been developing industrial products in the fields of furniture and lighting. They are known for developing inovative and forward thinking solutions while always keeping and edge in their aesthetics.

They have designed the Plié Shelving System for UTIL.

[www.fromindustrialdesign.com](http://www.fromindustrialdesign.com)

email to [shop@thisisutil.com](mailto:shop@thisisutil.com)  
shop [www.thisisutil.com](http://www.thisisutil.com)  
look at [instagram.com/this\\_is\\_util](https://www.instagram.com/this_is_util)  
like [facebook.com/thisisutil](https://www.facebook.com/thisisutil)



This is Util Lda  
Rua do Giestal 37B  
1300-275 Lisboa  
Portugal