

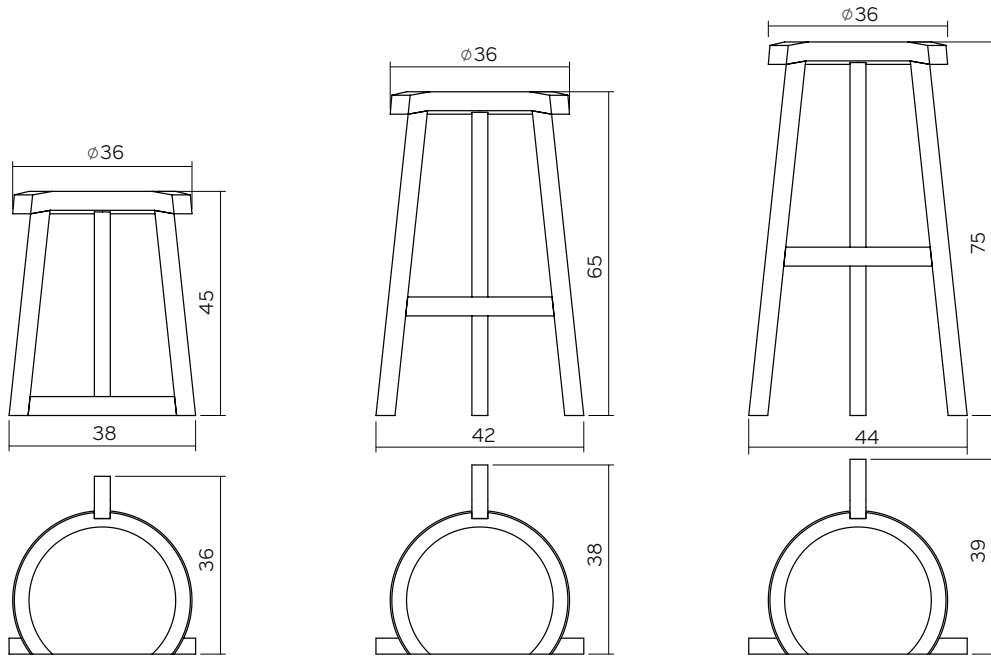
Oyster  
by GECKELER MICHELS



Oyster is a stool which has a good balance between sharp and soft. While you can't help thinking it comes from a machine, you still know in your heart that it must have been hand-crafted. The remarkable t-shaped legs and cut-off seat gives it a functional use. You probably can use it anywhere. Oyster is not only versatile; it is a piece of furniture with great character for your everyday use.

## Dimensions

- |                |                |                |
|----------------|----------------|----------------|
| - H45          | - H65          | - H75          |
| - Width 38 cm  | - Width 42 cm  | - Width 44 cm  |
| - Depth 36 cm  | - Depth 38 cm  | - Depth 39 cm  |
| - Height 45 cm | - Height 65 cm | - Height 75 cm |



## Materials

- Ash Wood

## Care and Maintenance

- Always clean with a damp cloth with no solvents.

## Colors and Finishes

Wood Stain in 3 different finishes.

- |               |               |
|---------------|---------------|
| - Natural Ash | Matt          |
| - Anthracite  | RAL 7021 Matt |
| - Light Grey  | RAL 7047 Matt |



This is Util Lda  
Rua do Giestal 37B  
1300-275 Lisboa  
Portugal

Tel: +351 919 975 119  
Web: [www.thisisutil.com](http://www.thisisutil.com)  
Email: [contact@thisisutil.com](mailto:contact@thisisutil.com)