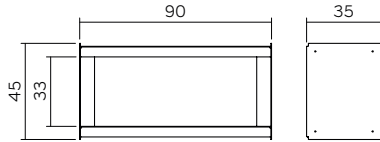


Plié Shelving System by FROM INDUSTRIAL DESIGN

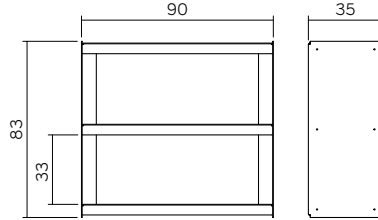


Plié, in classical ballet, is a specific movement, designed to give strength and flexibility to the entire body while helping the dancer acquire perfect posture. This is what the shelving system design by From Industrial Design is all about: stability and strength without losing elegance. Such combination is possible thanks to the way it was thought: using the least amount of material possible and folding it to create a light weight yet very robust structure. Its simplicity and fine character makes it possible to be used in multiple ways and contexts. It has only two components - flanks and shelves - which makes it very easy to assemble.

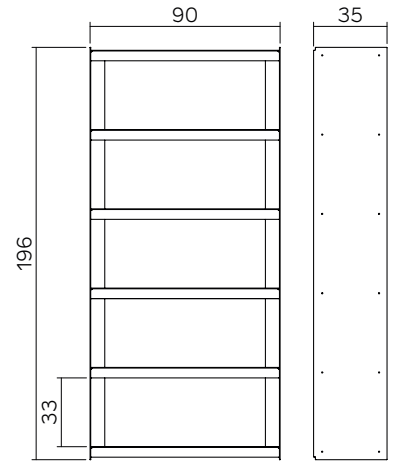
Dimensions and Variations



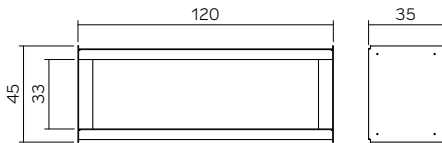
Plié Floor Unit 90 cm



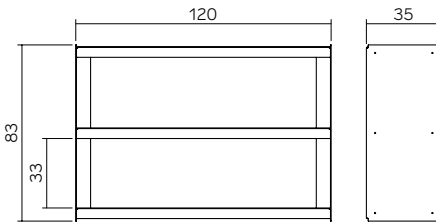
Plié Sideboard 90 cm



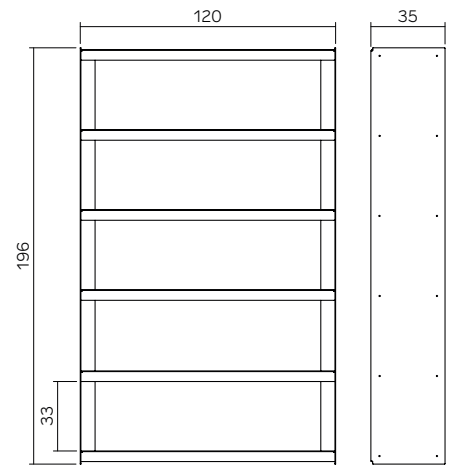
Plié Bookshelf 90 cm



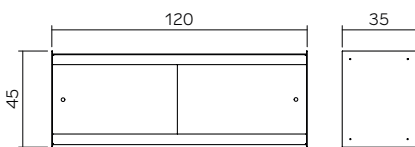
Plié Floor Unit 120 cm



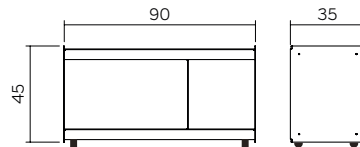
Plié Sideboard 120 cm



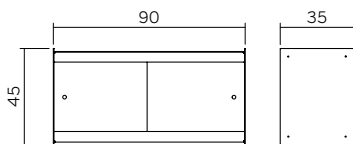
Plié Bookshelf 120 cm



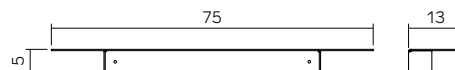
Plié Wall Mount 120 cm



Plié Trolley



Plié Wall Mount 90 cm



Plié Minishelf



This is Util Lda
Rua do Giestal 37B
1300-275 Lisboa
Portugal

Tel: +351 919 975 119
Web: www.thisisutil.com
Email: contact@thisisutil.com

Materials

- Aluminum
- Stainless Steel Screws
- Rubber profile for the feet

Colors and Finishes

Powder coated with fine texture or Smooth matt finish

- Jet Black Fine Texture RAL 9005 Matt
- Light Grey Fine Texture RAL 7047 Matt
- Gold Matt Smooth finish
- Pink Matt Smooth finish
- Midnigh Blue Fine Texture RAL 5008
- Beige Fine Texture RAL 1019 Matt
- Traffic Red RAL 3020

Assembly

- All required tools are included for the assembly alongside an easy step by step instructions manual.

Shipping

- All of the Plié variations is shipped via parcel in a flat-packed reinforced box.



Care and Maintenance

- Always clean with a damp cloth with no solvents.



This is Util Lda
Rua do Giestal 37B
1300-275 Lisboa
Portugal

Tel: +351 919 975 119
Web: www.thisisutil.com
Email: contact@thisisutil.com